

# Keystone Series Rollers

Featuring the broadest portfolio in North America, AmesburyTruth introduces the Keystone series of sliding door products engineered to compliment the vinyl patio door segment.

Including 6 rollers and a handle set, these products were developed to optimize entry level sliding patio door performance and price.



Innovative design modifications to roller components in our top 3 roller series led to the development of our new single wheel and tandem wheel rollers.

And just like the rest of the rollers in our portfolio, these meet AAMA standards too.



## FEATURES

- Single wheel steel rollers with high quality ball bearings can accommodate up to 200 lb panel weight
- Tandem roller assembly with composite wheels can accommodate up to 150 lb panel weight while providing smooth and quiet operation
- Drop-in replacement to existing series using either single or tandem rollers
- End adjustment rollers offer easy fabrication and is the industry standard for vinyl doors
- Cost-effective mild steel housing material offers corrosion protection
- Meets AAMA specifications

## 1936-S and 1936-C : Top Clearance Hole and End Tap Install



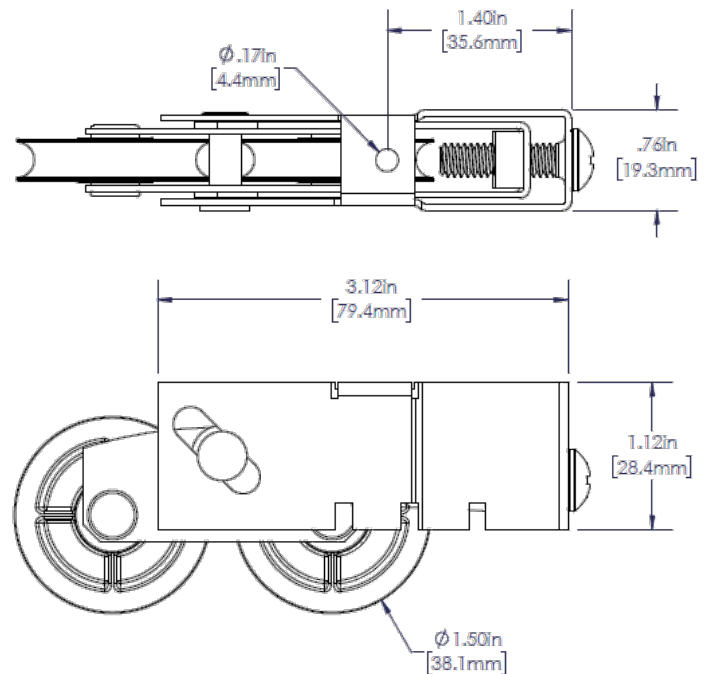
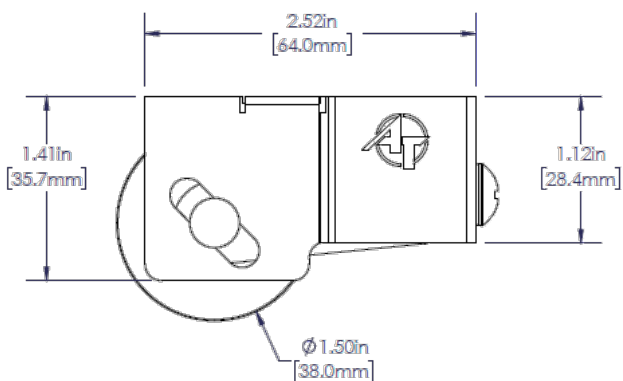
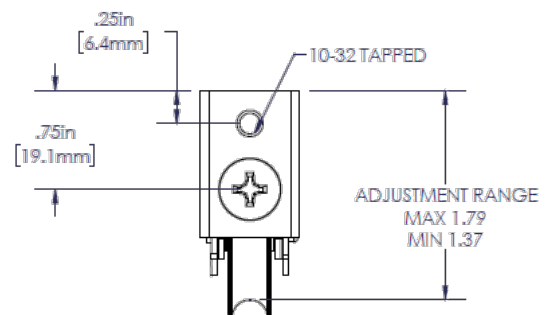
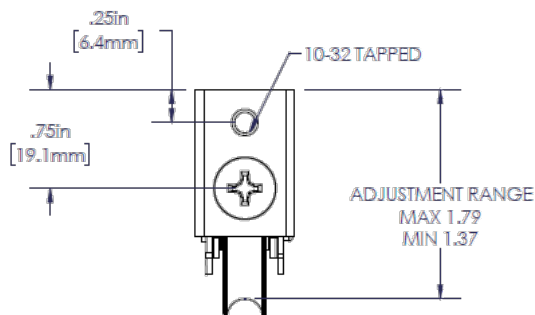
**1936-S**

- Single steel wheel with standard grade bearings can accommodate up to 200 lb panel weight



**1936-C**

- Tandem composite wheel can accommodate up to 150 lb panel weight



## 1951-S and 1951-C : Top Tap and End Tap Install



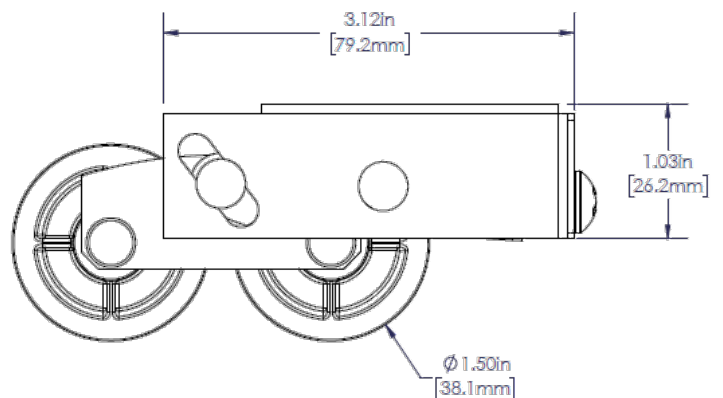
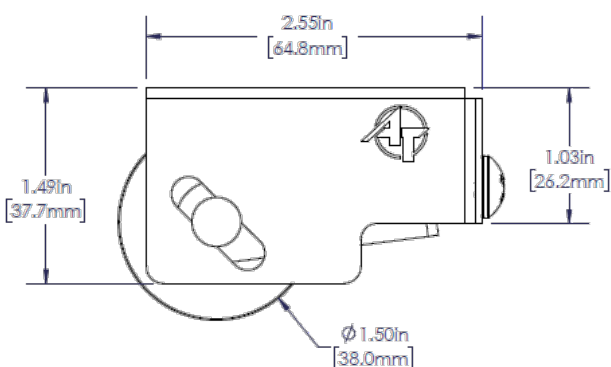
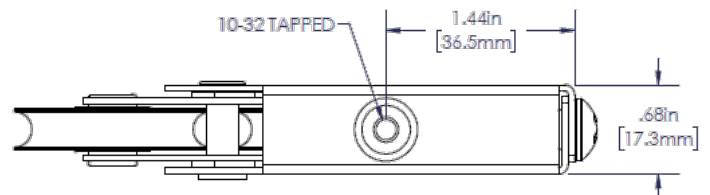
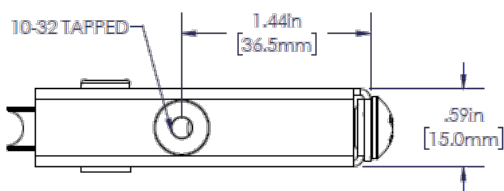
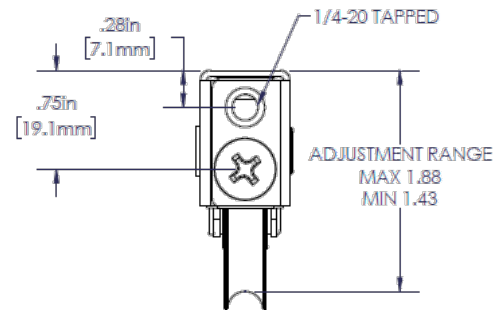
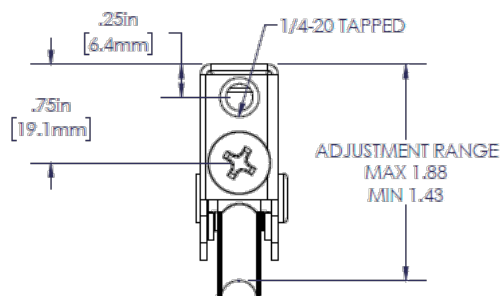
**1951-S**

- Single steel wheel with standard grade bearings can accommodate up to 200 lb panel weight



**1951-C**

- Tandem composite wheel can accommodate up to 150 lb panel weight



## 1976-S and 1976-C : Weld Relief Slot with End Tap Install



**1976-S**

- Single steel wheel with standard grade bearings can accommodate up to 200 lb panel weight



**1976-C**

- Tandem composite wheel can accommodate up to 150 lb panel weight

